

➤ **AP-5100T-MCL**
5.1 megapixel 3CMOS prism area scan



- **High resolution prism-based 3CMOS camera**
- **Full spatial resolution and true RGB color values with no interpolation**
- **Up to 51 fps at 5.1MP resolution with true color data from 3 sensors**
- **1/1.8" 4th gen. Sony Pregius S sensors feature backside illuminated pixel technology**
- **2.74µm square pixels**
- **CameraLink v2.1 compliant**
- **Individual analog gain and exposure control for R, G, and B channels**
- **Flexible ROI & rescaling function (Xscale) for sub-pixel binning and resolution matching, traditional 1x2, 2x1, or 2x2 binning**
- **Chromatic aberration correction, color space conversion, Auto Level Control (ALC), blemish compensation, shading correction**
- **4 inputs and 4 output options on DC In/TRIGGER (12-pin) and AUX (6-pin) connectors**
- **Excellent shock and vibration resistance**
- **C-mount lens mount**

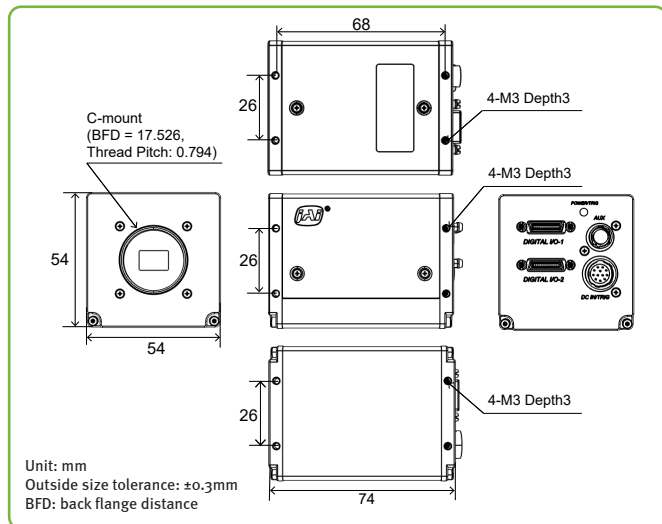
Specifications for AP-5100T-MCL

Apex Series

Specifications | AP-5100T-MCL

Sensor	1/1.8" 3CMOS global shutter (IMX548)
Active pixels	3x 2472 (H) x 2064 (V) pixels
Frame rate	51 fps (RGB8, Full Frame)
Active area	6.77mm(H)x5.66mm(V), 8.82mm (diagonal)
Pixel size	2.74 μm x 2.74 μm
Interface	CameraLink v2.1 compliant
Pixel Clock	50 MHz / 65 MHz / 85 MHz (Camera Link)
CI Configuration	Base, Medium, Full, EightyBit
Read-out modes	Full: 2464(H) x 2056 (V) pixels ROI (Single): (H) 96 ~ 2464 pixels, step: 8 (V) 8 ~ 2056 lines, step: 2 ROI (Multi): Up to 64 scanning areas (no overlap) Binning: 1x2, 2x1, 2x2
Image scaling (Xscale)	Supports independent, sub-pixel rescaling of H and/or V resolution (1/16 max.), compatible with ROI settings
Pixel formats	RGB8, RGB10, RGB12
Gain	Manual control - master or individual R/G/B Auto gain control - off, continuous, once
White balance	Off, 4 presets (3200K, 5000K, 6500K, 7500K) once / continuous AWB using Gain or Exposure
Gamma / LUT	0.45 to 1.0 (9 steps) or 257-point programmable LUT
Shading correction	FlatShading, ColorShading
Chromatic aberration correction	3 Profile Presets, Coefficient (-256 to +256), Center Offset adjustable
Trigger input	Opto In (2), TTL In (2), CC1, Pulse Generators (4), Software, NAND Out (2), User Output (4)
Output	Opto out (2), TTL out (2)
Exposure Mode	Off (free-run), Timed, TriggerWidth
Exposure Time	3.47 μs ~ 8s (can be set independently for R/G/B channels)
Auto Level Control (ALC)	Exposure range: 100 μs ~ 18.9ms Gain range: 0 dB ~ +18 dB Tracking speeds and max. values adjustable.
Video processing functions	H & V flip (ReverseX/Y), blemish compensation, color enhancement, color conversion
Lens mount	C-mount (back flange distance: 17.526mm)
Operating temp. (ambient)	-5°C to +45°C (20 to 80% non-condensing)
Storage temp. (ambient)	-25°C to +60°C (20 to 80% non condensing)
Vibration	3G (20 Hz to 200 Hz, XYZ directions)
Shock	50G
Regulations	CE (EN55032:2015/A11:2020 Class A, EMS:EN 55035 : 2017/A11:2020 Class A), FCC Part 15 Subpart A, RoHS/WEEE, KC
Power (12-pin)	Input: 10.8 ~ 26.4V DC Consumption: 6.3W (typ), Max 8.2W PoCL: not supported
Dimensions (H x W x D)	54mm x 54 mm x 74 mm (excluding connectors)
Weight	215 g

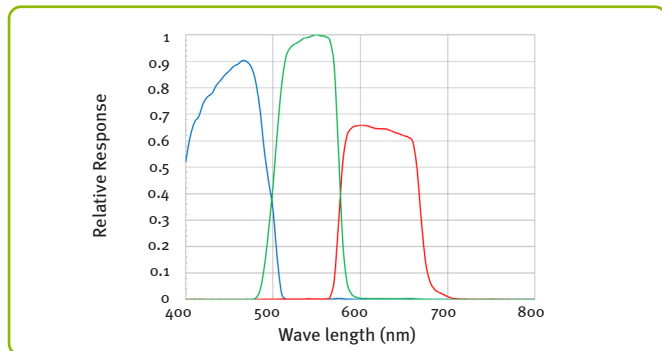
Dimensions



Connector pin-out

DC In / Trigger (12-pin)	AUX (6-pin)
 HR10A-10R-12PB(71)	 HR10A-7R-6SB
Pin 1 Ground 2 DC in +10.8V to +26.4V 3 Opto in 2- 4 Opto in 2+ 5 Opto in 1- 6 Opto in 1+ 7 Opto out 1- 8 Opto out 1+ 9 TTL out 1 10 TTL in 1 11 DC in +10.8V to +26.4V 12 Ground	Pin 1 NC 2 TTL out 2 3 TTL in 2 4 Opto out 2- 5 Opto out 2+ 6 Ground

Spectral Response



Ordering Information

AP-5100T-MCL	3-CMOS prism color camera with CameraLink interface
--------------	---



Scan for contact information
Explore more at www.jai.com



See the possibilities

Company and product names mentioned in this datasheet are trademarks or registered trademarks of their respective owners. JAI A-S cannot be held responsible for any technical or typographical errors and reserves the right to make changes to products and documentation without prior notice.